

JBC

www.jbctools.com

English



Electric Desoldering Module

Ref. MSE-A

Packing List

The following items should be included:

Electric Desoldering Module..... 1 unit
Ref. MSE-A



Module Cable connector 1 unit
Ref. 0014874



Filter Box 1 unit
Ref. 0005966
It contains 50 filters



Cotton Filter 10 units
Ref. 0781046



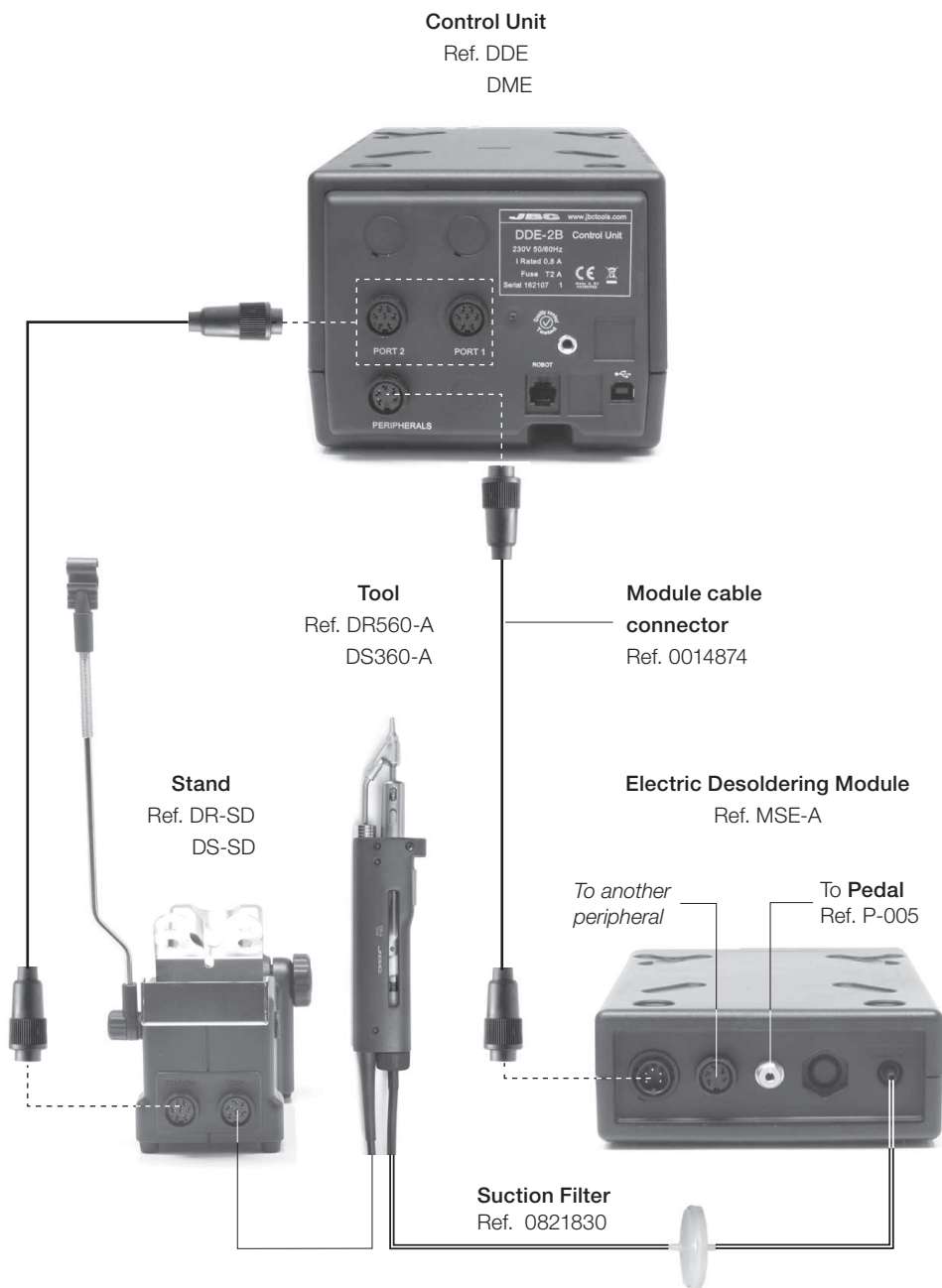
Suction Filter 1 unit
Ref. 0821830



Manual1 unit



Features



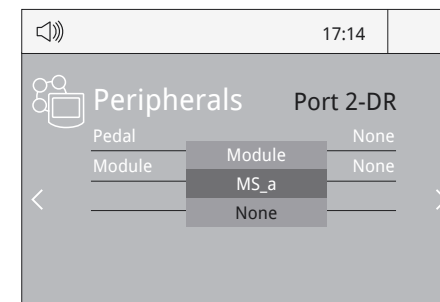
Initial Set up

For DDE Control Unit

1. After connecting the module, enter the **Peripherals** Menu and select the port which you want to join with the module.

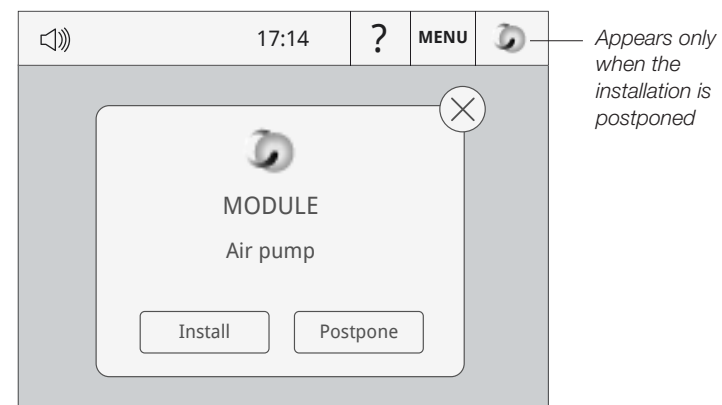
2. Select the module from the list of peripheral connections. Remember your first connection is denoted as "a", the second being "b", etc. (e.g. MS_a, MS_b,...)

3. Press Menu or Back to save changes.



For DME Control Unit

When a new module is detected, a **pop-up screen** appears and proceed as indicated. If no screen is shown, click on the **icon** on the main bar and follow the steps.



For DME and DDE Control Units

Once set up, you can change the module settings by entering the **Peripherals** Menu.

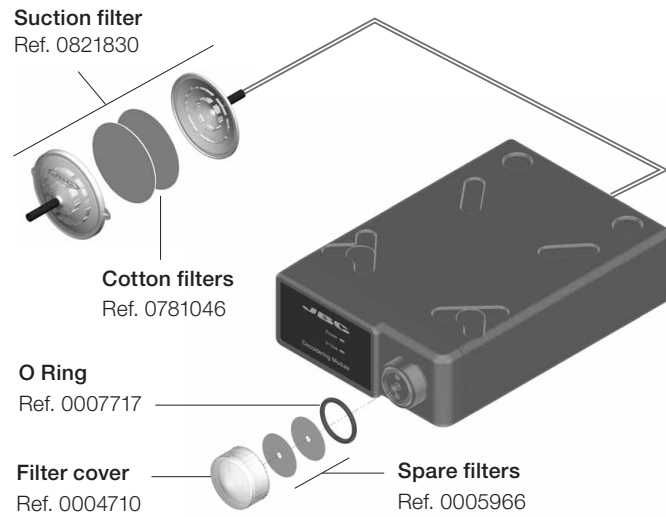


Maintenance

Before carrying out maintenance or storage, always unplug the equipment.

- Keep the casing clean by using a damp cloth. Specially use a soft cloth for the front side.
- Periodically check all cable and tube connections.
- Keep filters clean to ensure proper solder suction and replace them when necessary.

Important: Do not use sharp pointed objects to open the suction filter.

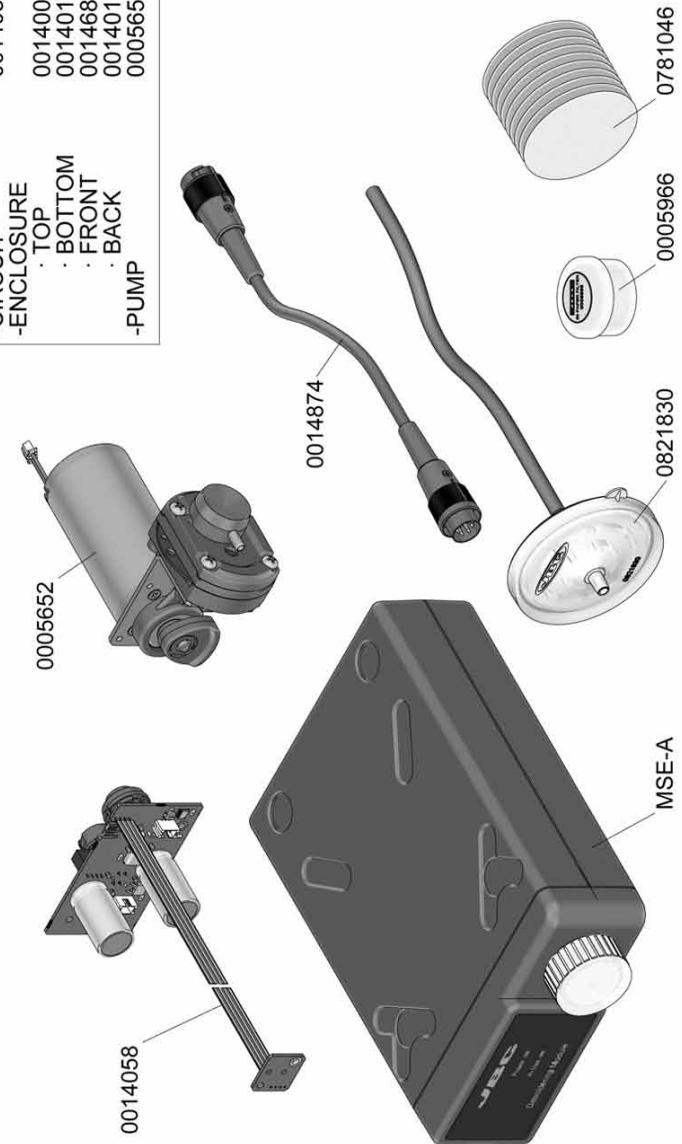


- Use original JBC spare parts only.
- Do not work with defective or damaged pieces.
- Repairs should only be performed by a JBC authorized technical service.
- Maintenance shall not be carried out by children unless supervised.

Exploded View

SPARE PARTS	
MSE-A:	0014058
-CIRCUIT	0014009
-ENCLOSURE	0014010
· TOP	0014688
· BOTTOM	0014011
· FRONT	0005652
· BACK	
-PUMP	

MSE-A DIGITAL ELECTRIC DESOLDERING MODULE



Specifications

- Total weight: 1,2 Kg (2.6lb)
- Size: 145 x 55 x 225 mm
- Vacuum: 75% / 570 mmHg / 22.4 inHg
- Flow rate: 9 SLPM

Complies with CE standards
ESD protected housing "skin effect"

JBC

Warranty

JBC's 2 year warranty covers this equipment against all manufacturing defects, including the replacement of defective parts and labour. Warranty does not cover product wear due to use or mis-use.

In order for the warranty to be valid, equipment must be returned, postage paid, to the dealer where it was purchased.



This product should not be thrown in the garbage.
In accordance with the European directive 2002/96/EC, electronic equipment at the end of their life must be collected and returned to an authorized recycling facility.